

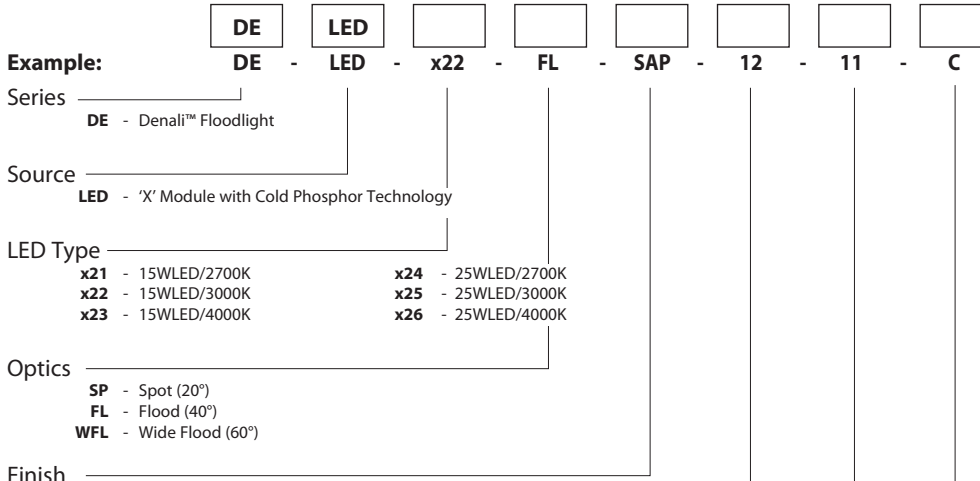
BKSSL
SOLID STATE LIGHTING powered by **XICATO**
Making sense with LEDs



DENALI™ FLOODLIGHT

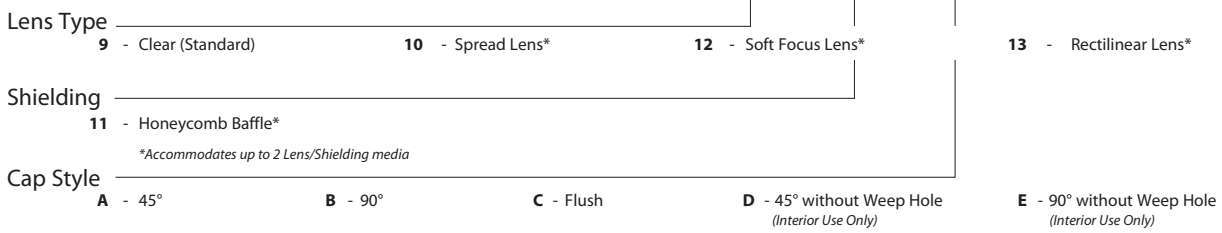
PROJECT:	
TYPE:	
CATALOG NUMBER:	
SOURCE:	
NOTES:	

CATALOG NUMBER LOGIC



- Configure Separately**
- Driver Housing Required
- HP2** - HP2 Housing
 - HP2RM** - HP2 Remote Housing
 - PM2** - Universal Power Module 2
 - PM2D** - Universal Power Module 2 Dual
 - PM2RM** - Universal Power Module 2 Remote
 - PM2DRM** - Universal Power Module 2 Dual Remote
 - PC** - Power Canopy
 - PPII** - Power Pipe II
 - TMB** - Pole Mount or Tenon Mount
 - RM** - Remote Wall Mount
 - DRM** - Dual Remote Wall Mount

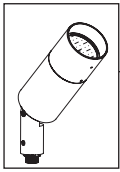
Standard Finish			Premium Finish		
Powder Coat Color	Satin	Wrinkle	ABP	CMG	RMG
Bronze	BZP	BZW	Antique Brass Powder	Cascade Mountain Granite	Rocky Mountain Granite
Black	BLP	BLW	AMG Aleutian Mountain Granite	CRI Cracked Ice	SDS Sonoran Desert Sandstone
White (Gloss)	WHP	WHW	AQW Antique White	CRM Cream	SMG Sierra Mountain Granite
Aluminum	SAP	—	BCM Black Chrome	HUG Hunter Green	TXF Textured Forest
Verde	—	VER	BGE Beige	MDS Mojave Desert Sandstone	WCP Weathered Copper
			BPP Brown Patina Powder	NBP Natural Brass Powder	WIR Weathered Iron
			CAP Clear Anodized Powder	OCP Old Copper	<i>Also available in RAL Finishes See submittal SUB-1439-00</i>



LM79 DATA					L70 DATA		OPTICAL DATA	
BK No.	CCT (Typ.)	CRI (Ra. Typ.)	Color Consistency	Input Watts (Typ.)	Minimum Rated Life (hrs.) 70% of initial lumens (L70)		Beam Type	Angle
x21	2700K	>80	±40K	15	50,000		Spot	20°
x22	3000K	>80	±50K	15	50,000		Flood	40°
x23	4000K	>80	±70K	15	50,000		Wide Flood	60°
x24	2700K	>80	±40K	25	50,000			
x25	3000K	>80	±50K	25	50,000			
x26	4000K	>80	±70K	25	50,000			

B-K LIGHTING	40429 Brickyard Drive • Madera, CA 93636 • USA 559.438.5800 • FAX 559.438.5900 www.bklighting.com • info@bklighting.com	SUBMITTAL DATE	DRAWING NUMBER
		12-14-11	SUB001113

THIS DOCUMENT CONTAINS PROPRIETARY INFORMATION OF B-K LIGHTING, INC. AND ITS RECEIPT OR POSSESSION DOES NOT CONVEY ANY RIGHTS TO REPRODUCE, DISCLOSE ITS CONTENTS, OR TO MANUFACTURE, USE OR SELL ANYTHING IT MAY DESCRIBE. REPRODUCTION, DISCLOSURE OR USE WITHOUT SPECIFIC WRITTEN AUTHORIZATION OF B-K LIGHTING, INC. IS STRICTLY FORBIDDEN.



BKSSL
SOLID STATE LIGHTING powered by **XICATO**
Making sense with LEDs

THE POWER OF

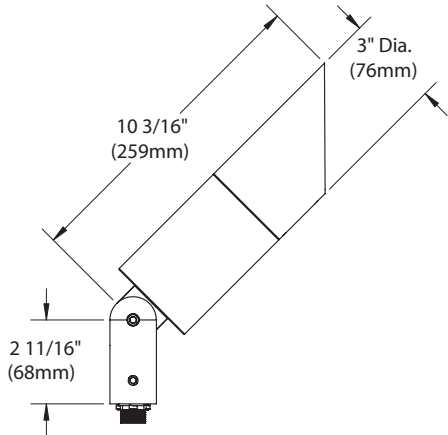


DENALI™ FLOODLIGHT

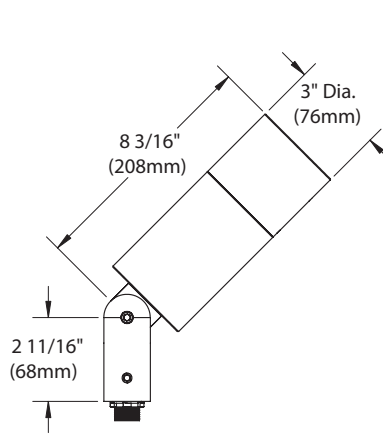
PROJECT:

TYPE:

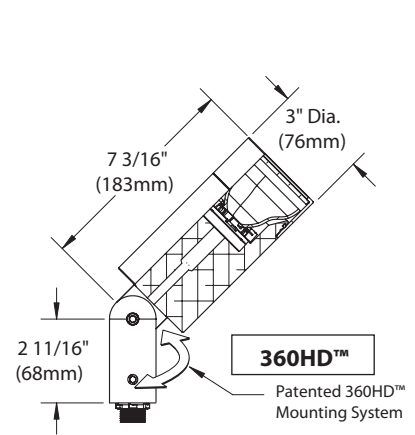
"A/D" CAP



"B/E" CAP



"C" CAP

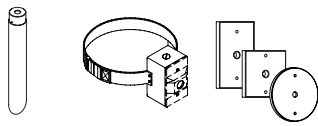


All dimensions indicated on this submittal are nominal. Contact Technical Sales if you require more stringent specifications.

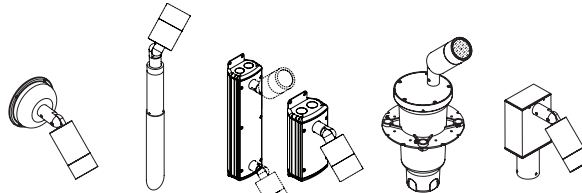
Accessories (Configure separately)

Drivers (Configure separately)

Mounting:

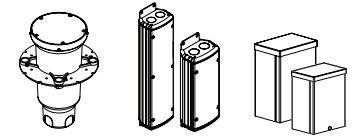


Power Pipe™ Tree Strap™ Canopies



Power Canopy™ Power Pipe™ PM2D & PM2 HP2 TMB

Drivers:



HP2RM PM2DRM & PM2RM RM & DRM

SPECIFICATIONS

GreenSource Initiative™

Metal and packaging components are made from recycled materials. Manufactured using renewable solar energy, produced onsite. Returnable to manufacturer at end of life to ensure cradle-to-cradle handling. Packaging contains no chlorofluorocarbons (CFC's). Use of this product may qualify for GreenSource efficacy and recycling rebate(s). Consult www.bklighting.com/greensource for program requirements.

Materials

Furnished in Copper-Free Aluminum (Type 6061-T6).

Body

Fully machined from solid billet. Unibody design provides enclosed, water-proof wireway and integral heat sink for maximum component life. Integral knuckle for maximum mechanical strength. High temperature, silicone 'O' Ring provides water-tight seal.

Knuckle

Patented 360HD™ Mounting System features a mechanical taper-lock, which allows a full 180° vertical adjustment without the use of serrated teeth, which inherently limit aiming. High temperature, silicone 'O' Ring provides water-tight seal and compressive resistance to maintain fixture position. Design withstands 73 lb. static load prior to movement to ensure decades of optical alignment. 1/2" pipe thread for mounting. Biaxial source control additionally provides 360° horizontal rotation in addition to vertical adjustment. 'Aim-And-Lock' Technology allows precision adjustment without the redundant tightening and loosening of knuckle screw.

Cap

Fully machined. Accommodates [2] lens or louver media. Choose from 45° cutoff ('A' or 'D'), 1" deep bezel with 90° cutoff ('B' or 'E') or flush lens ('C') cap styles. 'A' and 'B' caps include weep-hole for water and debris drainage. 'D' and 'E' caps exclude weep-hole and are for interior use only.

Lens

Shock resistant, tempered, glass lens is factory adhered to fixture cap and provides hermetically sealed optical compartment.

BKSSL™

Integrated solid state system with 'x' technology is scalable for field upgrade. Modular design with electrical quick disconnects permit field maintenance.

LM-80 certified. Minimum 50,000 hour rated life at 70% of initial lumens (L70). BKSSL technology provides long life, significant energy reduction and exceptional thermal management.

Color Management

Corrected cold phosphor technology delivers near-perfect natural white light. Long term phosphor maintenance over product life. Exact color point conformity exceeds ANSI C78.377 standard. Provides uniform beam with no color variation over angle. Module exceeds 80 CRI (RA>80, R9>16).

Remote Driver

For use with remote LED driver. See remote driver submittal to determine remote distance and wiring requirements prior to detailing field installation of any remote wiring.

Optics

Interchangeable OPTIKIT™ modules permit field changes to optical distribution.

Wiring

Teflon® coated, 18AWG, 600V, 250° C rated and certified to UL 1659 standard.

Hardware

Tamper-resistant, stainless steel hardware. 360HD™ hardware is additionally black oxide treated for additional corrosion resistance.

Finish

StarGuard® (Pat. Pend.), a RoHS compliant, 15 stage chromate-free process cleans and conversion coats aluminum components prior to application of Class 'A' TGIC polyester powder coating. RoHS compliant.

Warranty

5 year limited warranty.

Certification and Listing

ITL tested to IESNA LM-79. Lighting Facts Registration per USDOE (www.lightingfacts.com). ETL Listed to ANSI/UL Standards 1598, 8750 and Certified to CAN/CSA Standard C22.2 No. 250. RoHS compliant. Suitable for indoor or outdoor use. Suitable for use in wet locations. Additionally suitable for installation within 4' of the ground. IP66 Rated. Made in USA.



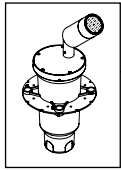
*Teflon is a registered trademark of DuPont Corporation.
*Energy Star is a registered trademark of the United States Environmental Protection Agency.

B-K LIGHTING

40429 Brickyard Drive • Madera, CA 93636 • USA
559.438.5800 • FAX 559.438.5900
www.bklighting.com • info@bklighting.com

SUBMITTAL DATE
12-14-11

DRAWING NUMBER
SUB001113



Precision²
HP-25 Remote In-Grade Lighting

BKSSL SOLID STATE LIGHTING *Constant Current Driver*

HP² Driver Housing

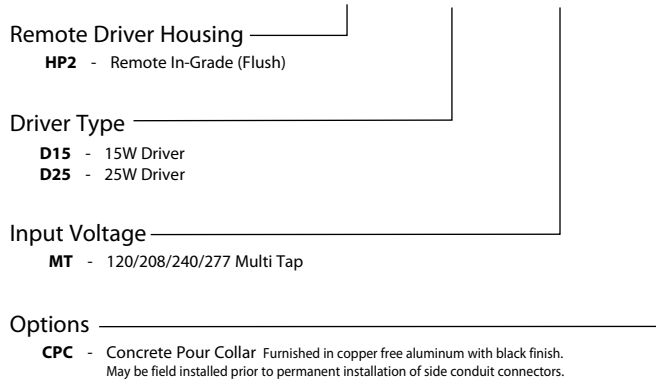
PROJECT:	
TYPE:	
CATALOG NUMBER:	
LAMP(S):	
NOTES:	

CATALOG NUMBER LOGIC



Example

HP2 - D15 - MT - CPC

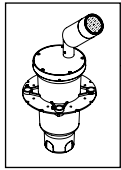


DRIVER ELECTRICAL DATA

TYPE	AC INPUT RANGE	Frequency Hz	DIMMING	POWER FACTOR	THD	OPER. AMBIENT TEMPERATURE	REMOTE WIRE DISTANCE
D15	120/208/240/277	50/60	NO	>0.92	<20%	-30° C ~ 50°C	50'
D25	120/208/240/277	50/60	NO	>0.92	<20%	-30° C ~ 50°C	50'

B-K LIGHTING	40429 Brickyard Drive • Madera, CA 93636 • USA	SUBMITTAL DATE	DRAWING NUMBER
	559.438.5800 • FAX 559.438.5900 www.bklighting.com • info@bklighting.com	6-4-12	SUB001120

THIS DOCUMENT CONTAINS PROPRIETARY INFORMATION OF B-K LIGHTING, INC. AND ITS RECEIPT OR POSSESSION DOES NOT CONVEY ANY RIGHTS TO REPRODUCE, DISCLOSE ITS CONTENTS, OR TO MANUFACTURE, USE OR SELL ANYTHING IT MAY DESCRIBE. REPRODUCTION, DISCLOSURE OR USE WITHOUT SPECIFIC WRITTEN AUTHORIZATION OF B-K LIGHTING, INC. IS STRICTLY FORBIDDEN.



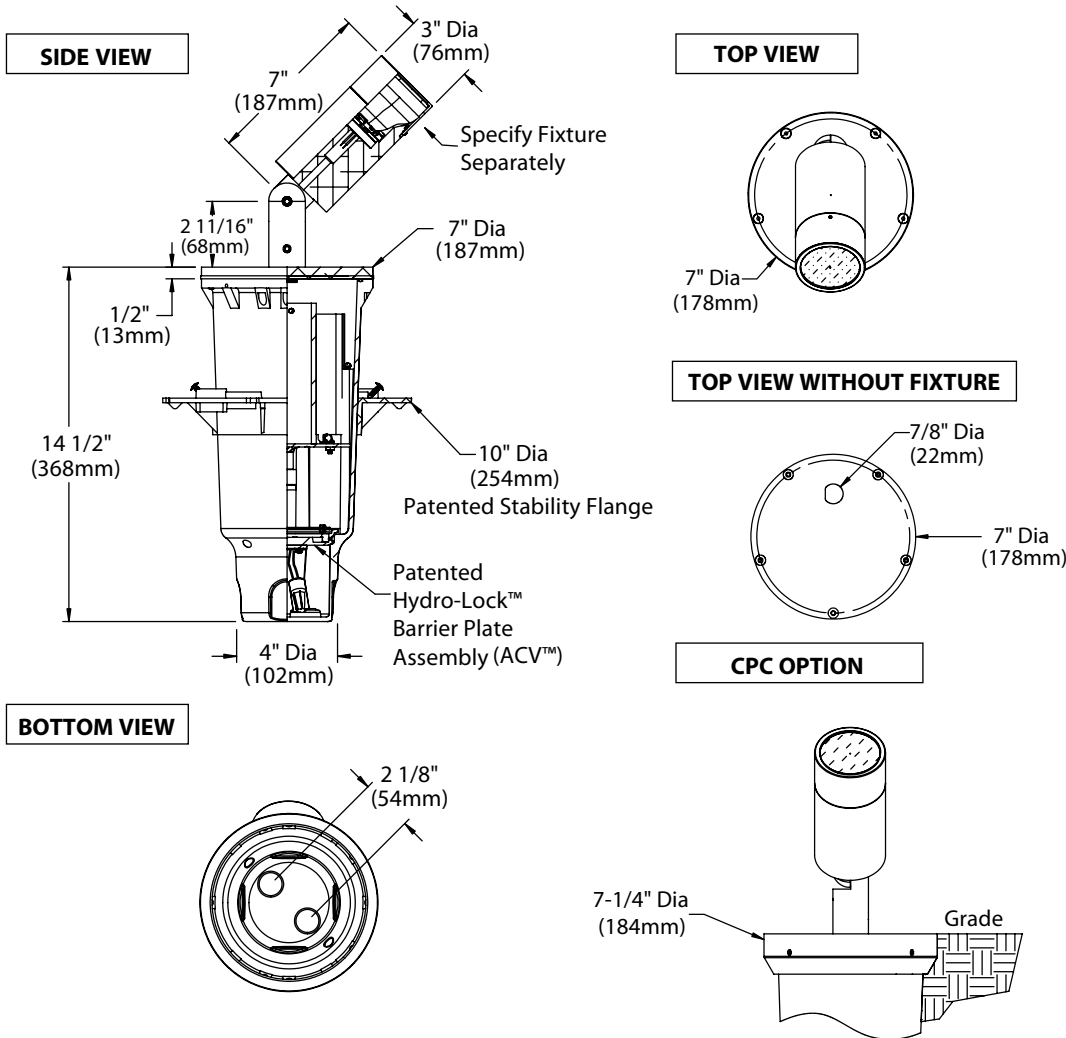
Precision²
IP-68 Rated LED Driver Housing

BKSSL
SOLID STATE LIGHTING

Constant Current Driver

HP² Driver Housing

PROJECT:	
TYPE:	



All dimensions indicated on this submittal are nominal. Contact Technical Sales if you require more stringent specifications.

SPECIFICATIONS

GreenSource Initiative™

Metal and packaging components are made from recycled materials. Manufactured using renewable solar energy, produced onsite. Returnable to manufacturer at end of life to ensure cradle-to-cradle handling. Packaging contains no chlorofluorocarbons (CFC's). Use of this product may qualify for GreenSource efficacy and recycling rebate(s). Consult www.bklighting.com/greensource for program requirements.

Faceplate

Solid, 1/2" machined 6061T6 copper-free aluminum with (5) black oxide, captive, stainless steel mounting screws.

Housing

Corrosion-free composite, made from high strength, thermoformed, sheet molded polyester compound. Glass reinforced, flame retardant and UV stabilized. (2) Bottom-Entry, 3/4" NPT female conduit entries with knockout plugs and (4) side flats for 1/2" or 3/4" conduit adapters.

Patented Stability Flange

Corrosion-free composite flange projects into installation substrate to reinforce housing stability. Integral REBAR saddles simplify installation onto concrete form. (4) Orthogonal bosses permit use of 1/2" PCV conduit or EMT to simplify vertical position and leveling of housing. Pre-set self-tapping screws anchor housing at proper elevation.

Installation

For direct burial in soil or concrete. Consult Drainage Installation Guide for In-Grade Fixtures (DIG-IT) for compliance with proper soil preparation and drainage requirements prior to installation.

Water Management

Self Evacuating Airtight Lamp Module (S.E.A.L.™). IP-68 rated, vacuum sealed enclosure. Patented Anti-Condensation Valve (ACV™) eliminates condensation on interior components. Hightemperature silicone 'O' Ring at faceplate. Patented HydroLock® technology provides fail safe water barrier between junction box and interior components. Anti-siphon valve (ASV™) prevents "wicking" through conductor insulation.

Driver Assembly

[1] 700mA, constant current driver. 120V, 208V, 240V, or 277V primary voltage. 50/60Hz. Non-dimming. >0.92 Power Factor. <20%THD. Efficiency >85% (Typical). Over-voltage, over-current, and short circuit protection. Integral, removable gear tray with quick disconnect and carrying handle.

Wiring / Connectors

Teflon® coated wire, 18 gauge, 600V, 250°C rated and certified to UL1659 standard. OptiLock® and gear tray quick disconnects. [3] Water-Tight connectors supplied for line connection. Maximum [2] #10 & [1] #18. Minimum [1] #12 & [1] #18.

Finish

StarGuard® (Patent Pending), a 15 stage, chromate-free process cleans and conversion coats aluminum components prior to application of Class 'A' TGIC polyester powder coating. RoHS compliant.

Warranty

5 year limited warranty.

Listings

IP-68 Rated Enclosure. ETL Listed to ANSI/UL Standard 1598 and Certified to CAN/CSA Standard C22.2 No. 250. RoHS compliant. Made in the USA.



*Teflon is a registered trademark of DuPont Corporation.

B-K LIGHTING

40429 Brickyard Drive • Madera, CA 93636 • USA
559.438.5800 • FAX 559.438.5900
www.bklighting.com • info@bklighting.com

SUBMITTAL DATE
6-4-12

DRAWING NUMBER
SUB001120

Denali Series™ - Flood

LED lighting facts®
A Program of the U.S. DOE

Light Output (Lumens)	616
Watts	17.7
Lumens per Watt (Efficacy)	34

Color Accuracy Color Rendering Index (CRI)	79
---	----

Light Color
Correlated Color Temperature (CCT) **2556 (Warm White)**

2700K 3000K 4500K 6500K

All results are according to IESNA LM-79-2008: Approved Method for the Electrical and Photometric Testing of Solid-State Lighting. The U.S. Department of Energy (DOE) verifies product test data and results.

Visit www.lightingfacts.com for the **Label Reference Guide**.

Registration Number: GCXY-D8PLTG (10/24/2011)
Model Number: DE-LED-X21-FL-9-C
Type: Other

Denali Series™

LED lighting facts®
A Program of the U.S. DOE

Light Output (Lumens)	603
Watts	17.5
Lumens per Watt (Efficacy)	34

Color Accuracy Color Rendering Index (CRI)	81
---	----

Light Color
Correlated Color Temperature (CCT) **2918 (Warm White)**

2700K 3000K 4500K 6500K

All results are according to IESNA LM-79-2008: Approved Method for the Electrical and Photometric Testing of Solid-State Lighting. The U.S. Department of Energy (DOE) verifies product test data and results.

Visit www.lightingfacts.com for the **Label Reference Guide**.

Registration Number: GCXY-GCEYF3 (10/24/2011)
Model Number: DE-LED-X22-FL-9-C
Type: Other

Denali Series™ - Flood

LED lighting facts®
A Program of the U.S. DOE

Light Output (Lumens)	642
Watts	17.9
Lumens per Watt (Efficacy)	35

Color Accuracy Color Rendering Index (CRI)	81
---	----

Light Color
Correlated Color Temperature (CCT) **3919 (Bright White)**

2700K 3000K 4500K 6500K

All results are according to IESNA LM-79-2008: Approved Method for the Electrical and Photometric Testing of Solid-State Lighting. The U.S. Department of Energy (DOE) verifies product test data and results.

Visit www.lightingfacts.com for the **Label Reference Guide**.

Registration Number: GCXY-H2G16L (10/24/2011)
Model Number: DE-LED-X23-FL-9-C
Type: Other

Denali Series™ - Spot

LED lighting facts®
A Program of the U.S. DOE

Light Output (Lumens)	649
Watts	17.9
Lumens per Watt (Efficacy)	36

Color Accuracy Color Rendering Index (CRI)	81
---	----

Light Color
Correlated Color Temperature (CCT) **3999 (Bright White)**

2700K 3000K 4500K 6500K

All results are according to IESNA LM-79-2008: Approved Method for the Electrical and Photometric Testing of Solid-State Lighting. The U.S. Department of Energy (DOE) verifies product test data and results.

Visit www.lightingfacts.com for the **Label Reference Guide**.

Registration Number: GCXY-BM6YSA (10/24/2011)
Model Number: DE-LED-X23-SP-9-C
Type: Other

Denali Series™ - Wide Flood

LED lighting facts®
A Program of the U.S. DOE

Light Output (Lumens)	672
Watts	17.9
Lumens per Watt (Efficacy)	37

Color Accuracy Color Rendering Index (CRI)	81
---	----

Light Color
Correlated Color Temperature (CCT) **3951 (Bright White)**

2700K 3000K 4500K 6500K

All results are according to IESNA LM-79-2008: Approved Method for the Electrical and Photometric Testing of Solid-State Lighting. The U.S. Department of Energy (DOE) verifies product test data and results.

Visit www.lightingfacts.com for the **Label Reference Guide**.

Registration Number: GCXY-DNDGMK (10/24/2011)
Model Number: DE-LED-X23-WFL-9-C
Type: Other

Denali Series™ - Flood

LED lighting facts®
A Program of the U.S. DOE

Light Output (Lumens)	927
Watts	28.2
Lumens per Watt (Efficacy)	32

Color Accuracy Color Rendering Index (CRI)	79
---	----

Light Color
Correlated Color Temperature (CCT) **2677 (Warm White)**

2700K 3000K 4500K 6500K

All results are according to IESNA LM-79-2008: Approved Method for the Electrical and Photometric Testing of Solid-State Lighting. The U.S. Department of Energy (DOE) verifies product test data and results.

Visit www.lightingfacts.com for the **Label Reference Guide**.

Registration Number: GCXY-548M1Y (10/24/2011)
Model Number: DE-LED-X24-FL-9-C
Type: Other

Denali Series™ - Flood

LED lighting facts®
A Program of the U.S. DOE

Light Output (Lumens)	918
Watts	28.7
Lumens per Watt (Efficacy)	32

Color Accuracy Color Rendering Index (CRI)	82
---	----

Light Color Correlated Color Temperature (CCT)	2899 (Warm White)
---	-------------------

Warm White	Bright White	Daylight
2700K	3000K	4500K 6500K

Warranty** Yes

All results, except LED Lumen Maintenance, are according to IESNA LM-79-2008: Approved Method for the Electrical and Photometric Testing of Solid-State Lighting. The U.S. Department of Energy (DOE) verifies product test data and results.

Visit www.lightingfacts.com for the Label Reference Guide.

Registration Number: GCXV-XFL72D (Revised 10/25/2011)
Model Number: DE-LED-X25-FL-9-C
Type: Other

Denali Series™ - Flood

LED lighting facts®
A Program of the U.S. DOE

Light Output (Lumens)	954
Watts	28.5
Lumens per Watt (Efficacy)	33

Color Accuracy Color Rendering Index (CRI)	82
---	----

Light Color Correlated Color Temperature (CCT)	3972 (Bright White)
---	---------------------

Warm White	Bright White	Daylight
2700K	3000K	4500K 6500K

Warranty** Yes

All results, except LED Lumen Maintenance, are according to IESNA LM-79-2008: Approved Method for the Electrical and Photometric Testing of Solid-State Lighting. The U.S. Department of Energy (DOE) verifies product test data and results.

** See www.lightingfacts.com/products for details.

Registration Number: GCXV-PMJYG7 (5/30/2012)
Model Number: DE-LED-X26-FL-9-C
Type: Other

Denali Series™ - Spot

LED lighting facts®
A Program of the U.S. DOE

Light Output (Lumens)	971
Watts	28.5
Lumens per Watt (Efficacy)	34

Color Accuracy Color Rendering Index (CRI)	82
---	----

Light Color Correlated Color Temperature (CCT)	4043 (Bright White)
---	---------------------

Warm White	Bright White	Daylight
2700K	3000K	4500K 6500K

Warranty** Yes

All results, except LED Lumen Maintenance, are according to IESNA LM-79-2008: Approved Method for the Electrical and Photometric Testing of Solid-State Lighting. The U.S. Department of Energy (DOE) verifies product test data and results.

** See www.lightingfacts.com/products for details.

Registration Number: GCXV-VLXJVG (5/30/2012)
Model Number: DE-LED-X26-SP-9-C
Type: Other

Denali Series™ - Spot Rectilinear

LED lighting facts®
A Program of the U.S. DOE

Light Output (Lumens)	1027
Watts	28.5
Lumens per Watt (Efficacy)	36

Color Accuracy Color Rendering Index (CRI)	82
---	----

Light Color Correlated Color Temperature (CCT)	4014 (Bright White)
---	---------------------

Warm White	Bright White	Daylight
2700K	3000K	4500K 6500K

Warranty** Yes

All results, except LED Lumen Maintenance, are according to IESNA LM-79-2008: Approved Method for the Electrical and Photometric Testing of Solid-State Lighting. The U.S. Department of Energy (DOE) verifies product test data and results.

** See www.lightingfacts.com/products for details.

Registration Number: GCXV-4H11T8 (5/30/2012)
Model Number: DE-LED-X26-SP-13-C
Type: Other

Denali Series™ - Wide Flood

LED lighting facts®
A Program of the U.S. DOE

Light Output (Lumens)	1005
Watts	28.5
Lumens per Watt (Efficacy)	35

Color Accuracy Color Rendering Index (CRI)	83
---	----

Light Color Correlated Color Temperature (CCT)	4005 (Bright White)
---	---------------------

Warm White	Bright White	Daylight
2700K	3000K	4500K 6500K

Warranty** Yes

All results, except LED Lumen Maintenance, are according to IESNA LM-79-2008: Approved Method for the Electrical and Photometric Testing of Solid-State Lighting. The U.S. Department of Energy (DOE) verifies product test data and results.

** See www.lightingfacts.com/products for details.

Registration Number: GCXV-XKPAH1 (5/30/2012)
Model Number: DE-LED-X26-WLF-9-C
Type: Other